

Siemens Flatpanel-Display Technology

A&D IB SFT

TFT COLOR LCD MODULE

Type No. G23916-B65-H035

I-SFT 50i.M

I-SFT TM **Rev. II**

10,5“ 640 x 480

SPECIFICATIONS

Internal Revision 0.1

02.01.2001

SIEMENS

1	DESCRIPTION	3
2	FEATURES	3
3	APPLICATIONS	3
4	STRUCTURE AND FUNCTIONS	3
5	OUTLINE OF CHARACTERISTICS	4
6	BLOCK DIAGRAM	5
7	SPECIFICATIONS	6
7-1.	GENERAL SPECIFICATION	6
7-2.	ABSOLUTE MAXIMUM RATINGS	6
7-3.	ELECTRICAL CHARACTERISTICS	7
7-4.	SUPPLY VOLTAGE SEQUENCE	7
7-5.	INTERFACE PIN CONNECTION	8
7-6.	DISPLAY COLORS vs. INPUT DATA SIGNALS	9
7-7.	INPUT SIGNAL TIMING	10
7-8.	DISPLAY POSITION	15
7-9.	DEFECT SPECIFICATIONS	15
7-10.	OPTICAL CHARACTERISTICS	17
7.11.	INVERTER SPECIFICATIONS	19
7-12.	RELIABILITY TEST 1	21
7-13	MEASUREMENTS	22

SIEMENS

1 DESCRIPTION

I-SFT 50i.M (G23916-B65-H035) is a TFT(thin film transistor) active matrix color liquid crystal display (LCD) comprising amorphous silicon TFT attached to each signal electrode, a driving circuit.

I-SFT 50i.M (G23916-B65-H035) is a Siemens specific product consisting out of a Siemens specific third party manufactured LCD-Glass-Matrix with backlight (which is NOT available in retail), a specific backlight to drive the panel to surface 500 nit and an integrated inverter. The 26cm diagonal display area contains 640×480 pixels and can display 262,144 colors simultaneously.

2 FEATURES

- Backlight for 500 nit display surface
- Thin and light weight
- High contrast ratio, wide viewing angle, wide color gamut
- Variable γ control
- Wide temperature range
- Accepting high shock and vibration levels
- Data enable function
- Fixable connector
- Minimized image sticking (ghost pictures)
- Integrated inverter for driving backlight
- Colorspectrum adjusted to sunlight

3 APPLICATIONS

Extreme Environments

4 STRUCTURE AND FUNCTIONS

A TFT color LCD module comprises a TFT LCD panel, LSIs for driving liquid crystal. The TFT LCD panel is composed of a TFT array glass substrate superimposed on a color filter glass substrate with liquid crystal filled in the narrow gap between two substrates.

RGB (Red, Green, Blue) data signals are sent to LCD panel drivers after modulation into suitable forms for active matrix addressing through signal processor.

Each of the liquid crystal cells acts as an electro-optical switch that controls the incident light transmission by a signal applied to a signal electrode through the TFT switch.

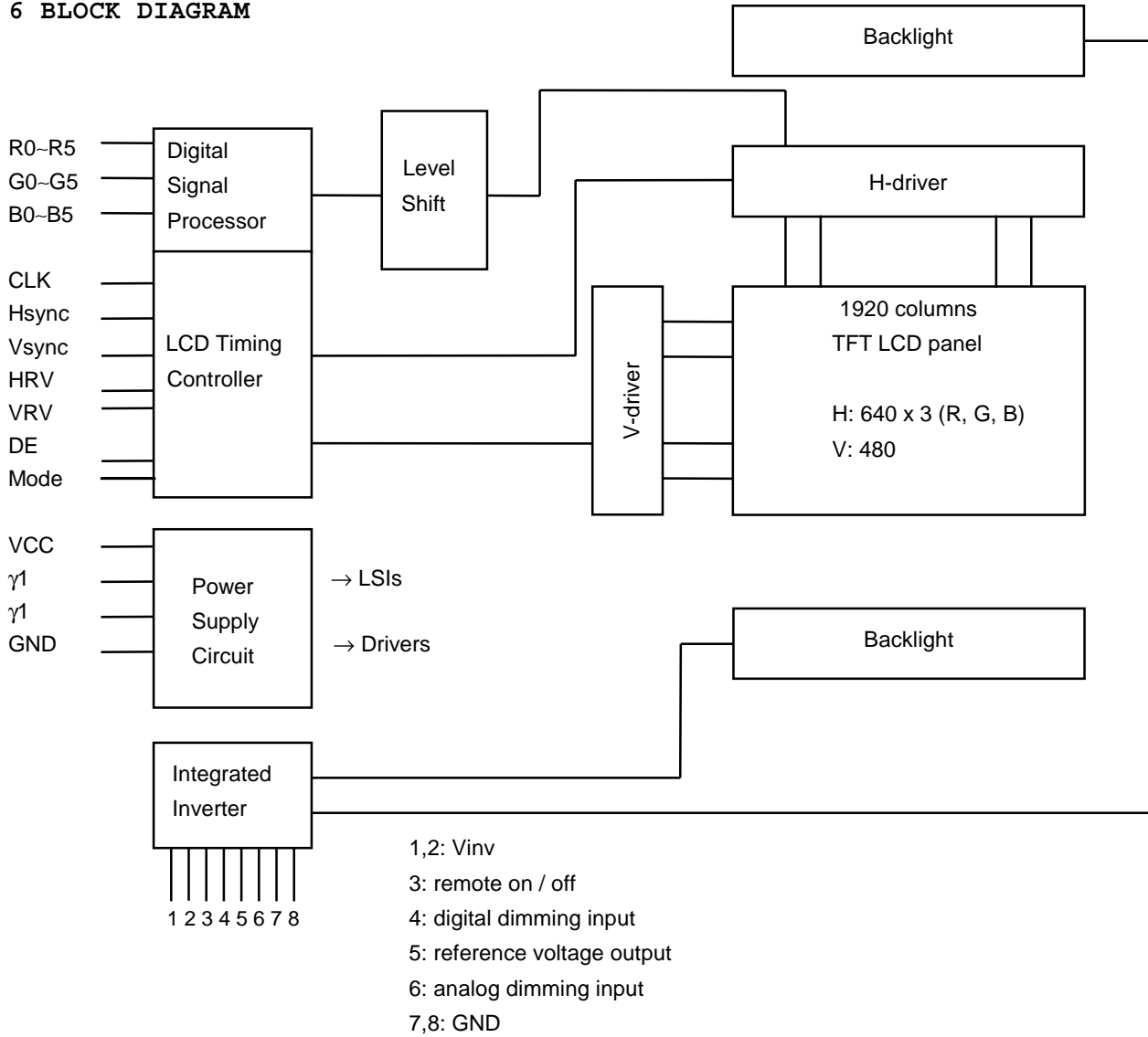
5 OUTLINE OF CHARACTERISTICS

Display area	211.7 mm(H) × 158.9 mm(V)
Drive system	a-Si TFT active matrix
Display colors	262,144 colors
Number of pixels	640 × 480
Pixel arrangement	RGB, vertical stripe
Pixel pitch	0.33 mm(H) × 0.33 mm(V)
Module size	194 mm(H) × 271 mm(V) × 28 mm(D)
Weight	1220 g (typ.)
Luminance	500 cd/m ² (typ.)
Dimming range	1:250
Contrast ratio	250:1 (typ.) *note
Color gamut	50% (typ. at center, to NTSC) *note
Response time	15 ms (typ.), "white" to "black"
Transmittance	tbd
Incident light intensity	300,000 lux (max.) at the color filter side 20,000 lux (max.) at the TFT side
Signal system	6-bit digital signals for each of RGB primary colors, synchronous signals (hsync, vsync), Dot clock (CLK)
Supply voltage	5.0 V or 3.3 V (Logic, LCD driving), 12 VDC for integrated Inverter
Scanning direction	Vertical scanning is normal/reverse Horizontal scanning is normal/reverse

*note : Measuring light conditions

Lamp:	Cold Cathode Fluorescent Lamp
Chromaticity coordinates:	(x = 0.320; y = 0.325) typ.
Luminance at backlight surface:	1500 cd/m ²

6 BLOCK DIAGRAM



7 SPECIFICATIONS

7-1 GENERAL SPECIFICATIONS

Item	Specifications	Unit
Module size	194 (H) × 271 (V) × 28 (D)	mm
Display area	211.7 (H) × 158.9 (V)	mm
Number of pixels	640×3 (H) × 480 (V)	pixel
Dot pitch	0.11 (H) × 0.33 (V)	mm
Pixel pitch	0.33 (H) × 0.33 (V)	mm
Pixel arrangement	RGB (Red, Green, Blue) vertical stripe	-
Display colors	262,144	color
Weight	1220 (typ.)	g

7-2 ABSOLUTE MAXIMUM RATINGS

Parameter	Symbol	Ratings	Unit	Remarks
Supply voltage inverter	Vinv	typ. 12 VDC (min 9 VDC max. 15 VDC) *3	V	Ta = 25°C
Supply voltage	Vcc	-0.3 to 6.5	V	Ta = 25°C
Input voltage	VI	-0.3 to 6.5	V	VI - Vcc < 3.0
Low temperature storage	Tls	-46	°C	according MIL-STD 810 method 502.3 proc. I
Low temperature operational	Tlo	-31 *1	°C	according MIL-STD 810 method 502.3 proc. II
High temperature storage	Ths	85	°C	according MIL-STD 810 method 501.3 proc. I
High temperature operational	Tho	85 *1	°C	according MIL-STD 810 method 501.3 proc. II
Storage temp.	Tst	-46 to 95	°C	int. design verif. test
Operation temp.	Top	-40 to 95	°C	int. design verif. test
Humidity	RH	≤ 95% relative humidity *2	Ta ≤ 40°C	no condensation
		≤ 85% relative humidity *2	Ta ≤ 50°C	
		Absolute humidity shall not exceed Ta=50C°, 85% rel. humidity level *2	Ta > 50°C	
Incident light intensity	II	≤ 300k	lux	at backlight side
		≤ 20k		at TFT side

*1: measured at center display area (Front side)

*2: without any protection

*3: specified values for inverter valid for fixed input of 12 VDC only

7-3 ELECTRICAL CHARACTERISTICS

(1) Logic, LCD driving

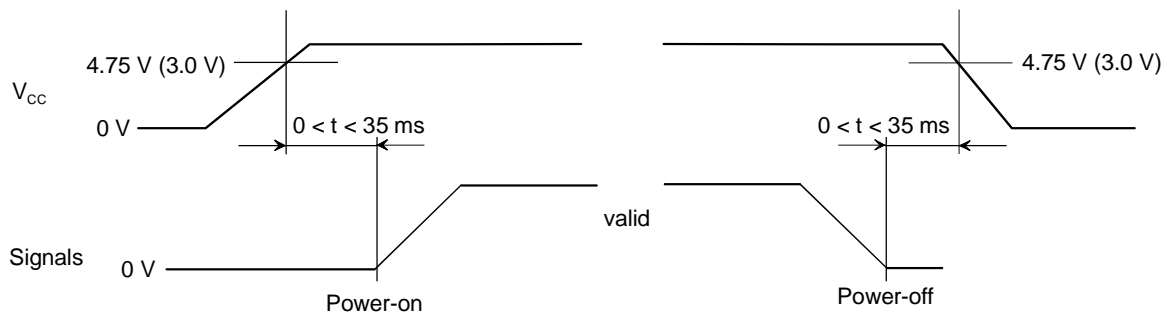
Ta = 25°C

Parameter	Symbol	Min.	Typ.	Max.	Unit	Remarks
Supply voltage	Vcc	4.75 (3.0)	5.0 (3.3)	5.25 (3.6)	V	Vcc = 5.0 V (Vcc = 3.3 V)
Logic input "L" voltage	VIL	0	-	VCC×0.3	V	CMOS level
Logic input "H" voltage	VIH	VCC×0.7	-	5.25	V	
Supply current	Icc	-	400 ‡1 (500)	500 600	mA	Vcc = 5.0 V (Vcc = 3.3 V)
Input current (Low) ‡2 VI = 0V	I0L1	-	10 ⁻⁵ (10 ⁻⁵)	10.0 (8.0)	µA	Vcc = 5.0 V (Vcc = 3.3 V)
	I0L2	-	-0.15 (-0.2)	-0.3 (-0.4)	µA	Vcc = 5.0 V (Vcc = 3.3 V)
Input current (High) ‡2 VI = VCC	I0H1	-	10 ⁻⁵ (10 ⁻⁵)	10.0 (8.0)	µA	Vcc = 5.0 V (Vcc = 3.3 V)
	I0H2	-	100 (70)	200 (150)	µA	Vcc = 5.0 V (Vcc = 3.3 V)

‡1: Checker flag pattern (in EIAJ ED-2522)

‡2: I0L1, I0H1 CLK, Hsync, Vsync, R0-R5, G0-G5, B0-B5, DE, MODE
I0L2, I0H2 HRV, VRV

7-4 SUPPLY VOLTAGE SEQUENCE



note 1: The supply voltage for input signals should be the same as Vcc.

note 2: Turn on the backlight within the LCD operation period. When the backlight turns on before LCD operation or the LCD operation turns off before the backlight turns off, the display becomes momentarily white.

note 3: When the power is off, please keep whole signals (Hsync, Vsync, CLK, DE, MODE and DATA) low level or high impedance.

7-5 INTERFACE PIN CONNECTION

(1) Interface signals, power supply

Module side connector

CN1 : PS-34PE-D4LT1-SM1 (JAE)

Pin NO.	Symbol	Function
1	GND	Ground
2	CLK	Dot clock
3	Hsync	Horizontal sync
4	Vsync	Vertical sync
5	GND	Ground
6	R0	Red data (LSB)
7	R1	Red data
8	R2	Red data
9	R3	Red data
10	R4	Red data
11	R5	Red data (MSB)
12	GND	Ground
13	G0	Green data (LSB)
14	G1	Green data
15	G2	Green data
16	G3	Green data
17	G4	Green data

Mating connector

PS-34SM-D4P1-1C

Pin NO.	Symbol	Function
18	G5	Green data (MSB)
19	GND	Ground
20	B0	Blue data (LSB)
21	B1	Blue data
22	B2	Blue data
23	B3	Blue data
24	B4	Blue data
25	B5	Blue data (MSB)
26	GND	Ground
27	DE	Data enable
28	Vcc	Power supply
29	Vcc	Power supply
30	MODE	note 1
31	HRV	note 2
32	VRV	note 3
33	$\gamma 1$	note 4
34	$\gamma 2$	note 4

note

- 1) MODE : L or OPEN = DE mode
H = fixed timing mode
- 2) HRV *: L or OPEN = scanning is normal
H = scanning is reverse
47 k Ω at pull down (old 1 k Ω)
- 3) VRV *: L or OPEN = scanning is normal
H = scanning is reverse
47 k Ω at pull down (old 1 k Ω)
*see from TFT side.

LSB: Least Significant Bit

MSB: Most Significant Bit

Input current

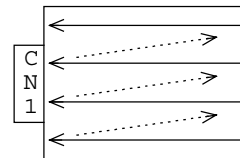
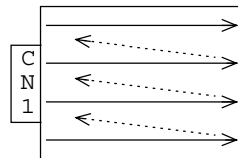
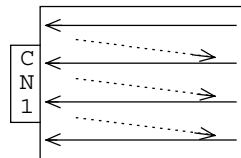
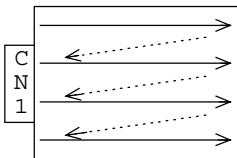
Vin = 0 V	-0,15 μ	Vcc 5.0 V
	-0,2 μ	Vcc 3.3 V
Vin = Vcc	100 μ	Vcc 5.0 V
	70 μ	Vcc 3.3 V

HRV : L
VRV : L

HRV : H
VRV : L

HRV : L
VRV : H

HRV : H
VRV : H



- 4) $\gamma 1, \gamma 2$: Adjustment of γ correction. The pins 33 " $\gamma 1$ " and 34 " $\gamma 2$ " should be left open for best optical performance! (otherwise the optical performance will be programmed for special use).



Variable resistor for special use ONLY!
Mating VR: 2.2 k Ω \pm 5%

- 5) GND is connected to frame of the LCD module.

7-6 DISPLAY COLORS vs. INPUT DATA SIGNALS

Display colors		Data signal(0: Low level, 1: High level)																	
		R5	R4	R3	R2	R1	R0	G5	G4	G3	G2	G1	G0	B5	B4	B3	B2	B1	B0
Basic colors	Black	0	0	0	0	0	0	0	0	0	0	0	0	0	0	0	0	0	0
	Blue	0	0	0	0	0	0	0	0	0	0	0	0	1	1	1	1	1	1
	Red	1	1	1	1	1	1	0	0	0	0	0	0	0	0	0	0	0	0
	Magenta	1	1	1	1	1	1	0	0	0	0	0	0	1	1	1	1	1	1
	Green	0	0	0	0	0	0	1	1	1	1	1	1	0	0	0	0	0	0
	Cyan	0	0	0	0	0	0	1	1	1	1	1	1	1	1	1	1	1	1
	Yellow	1	1	1	1	1	1	1	1	1	1	1	1	0	0	0	0	0	0
	White	1	1	1	1	1	1	1	1	1	1	1	1	1	1	1	1	1	1
Red grayscale	Black	0	0	0	0	0	0	0	0	0	0	0	0	0	0	0	0	0	0
	dark	0	0	0	0	0	1	0	0	0	0	0	0	0	0	0	0	0	0
	↑																		
	↓																		
	bright	1	1	1	1	0	1	0	0	0	0	0	0	0	0	0	0	0	0
	Red	1	1	1	1	1	0	0	0	0	0	0	0	0	0	0	0	0	0
Green grayscale	Black	0	0	0	0	0	0	0	0	0	0	0	0	0	0	0	0	0	0
	dark	0	0	0	0	0	0	0	0	0	0	1	0	0	0	0	0	0	0
	↑																		
	↓																		
	bright	0	0	0	0	0	0	1	1	1	1	0	1	0	0	0	0	0	0
	Green	0	0	0	0	0	0	1	1	1	1	1	0	0	0	0	0	0	0
Blue grayscale	Black	0	0	0	0	0	0	0	0	0	0	0	0	0	0	0	0	0	0
	dark	0	0	0	0	0	0	0	0	0	0	0	0	0	0	0	0	1	0
	↑																		
	↓																		
	bright	0	0	0	0	0	0	0	0	0	0	0	0	1	1	1	1	0	1
	Blue	0	0	0	0	0	0	0	0	0	0	0	0	1	1	1	1	1	0
Blue	0	0	0	0	0	0	0	0	0	0	0	0	1	1	1	1	1	1	

note: colors are developed in combination with 6 bit signals (64 steps in grayscale) of each primary red, green, and blue color.

This process can result in up to 262,144 (64×64×64) colors.

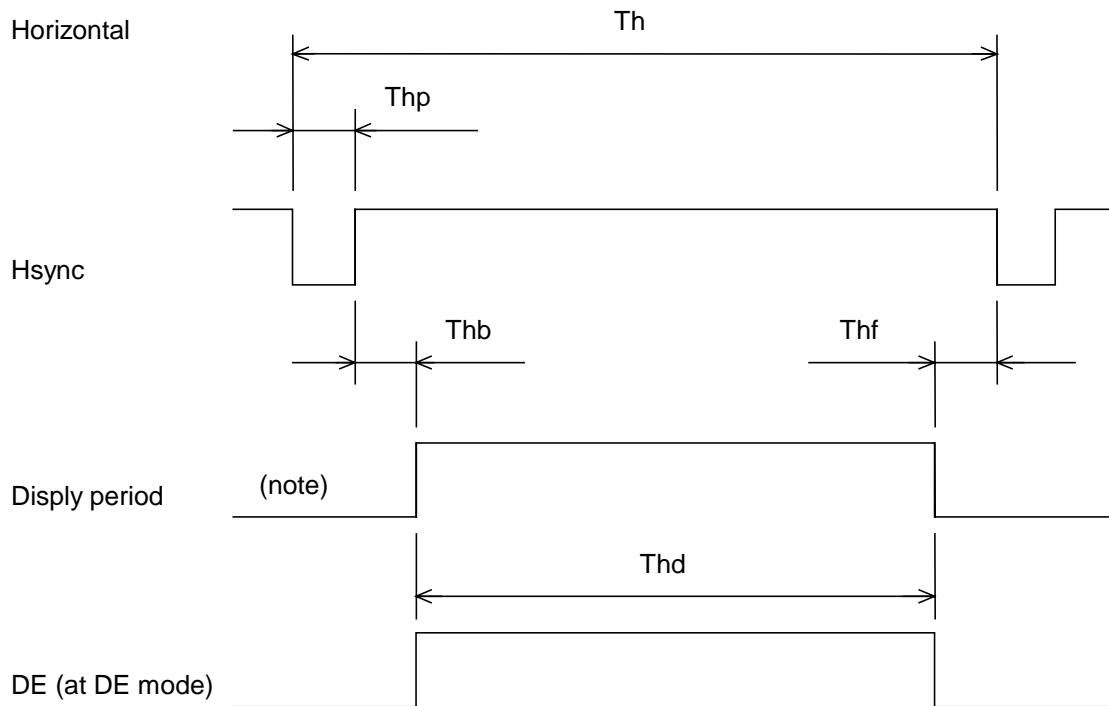
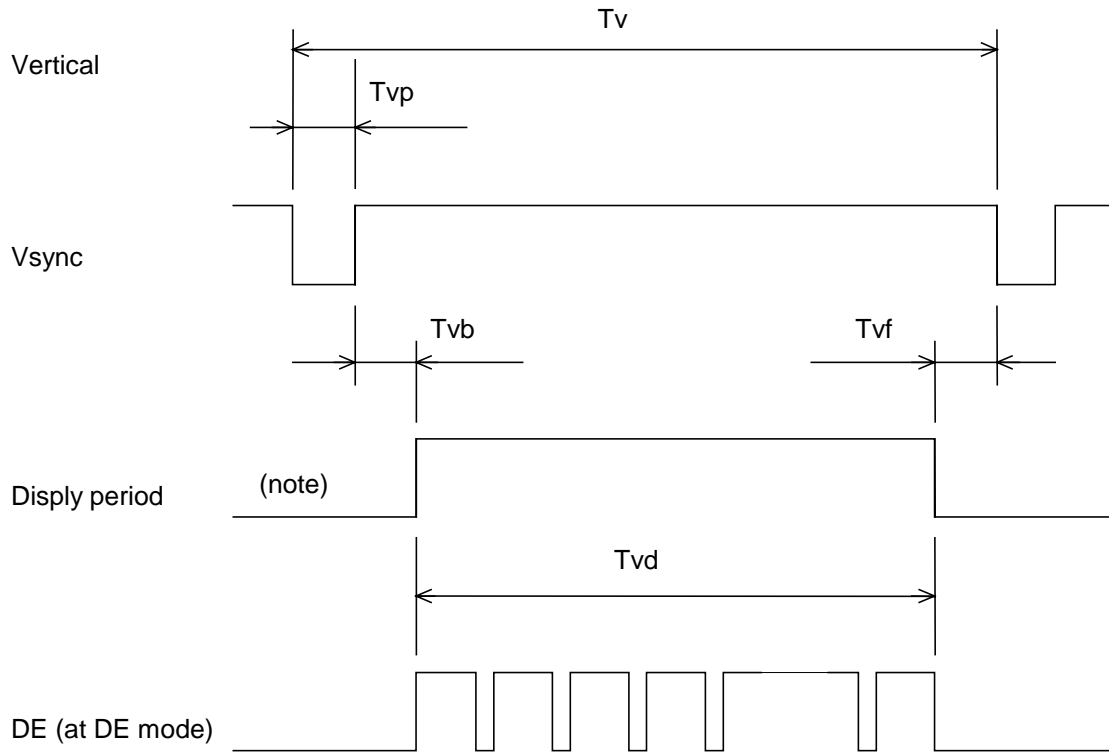
7-7 INPUT SIGNAL TIMING

(1) INPUT SIGNAL SPECIFICATIONS

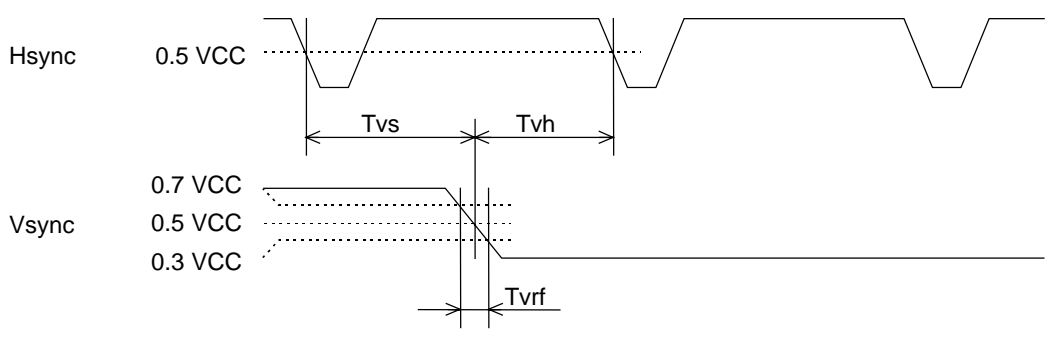
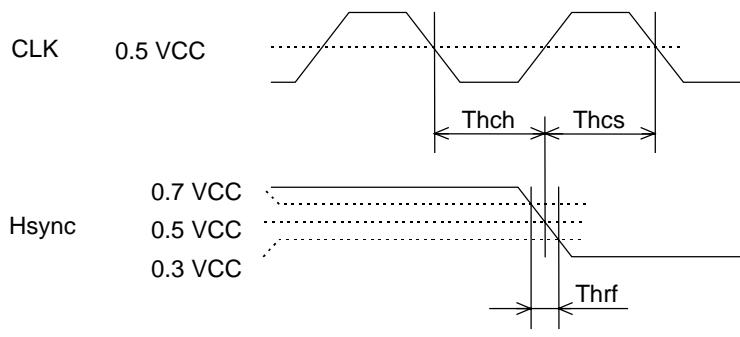
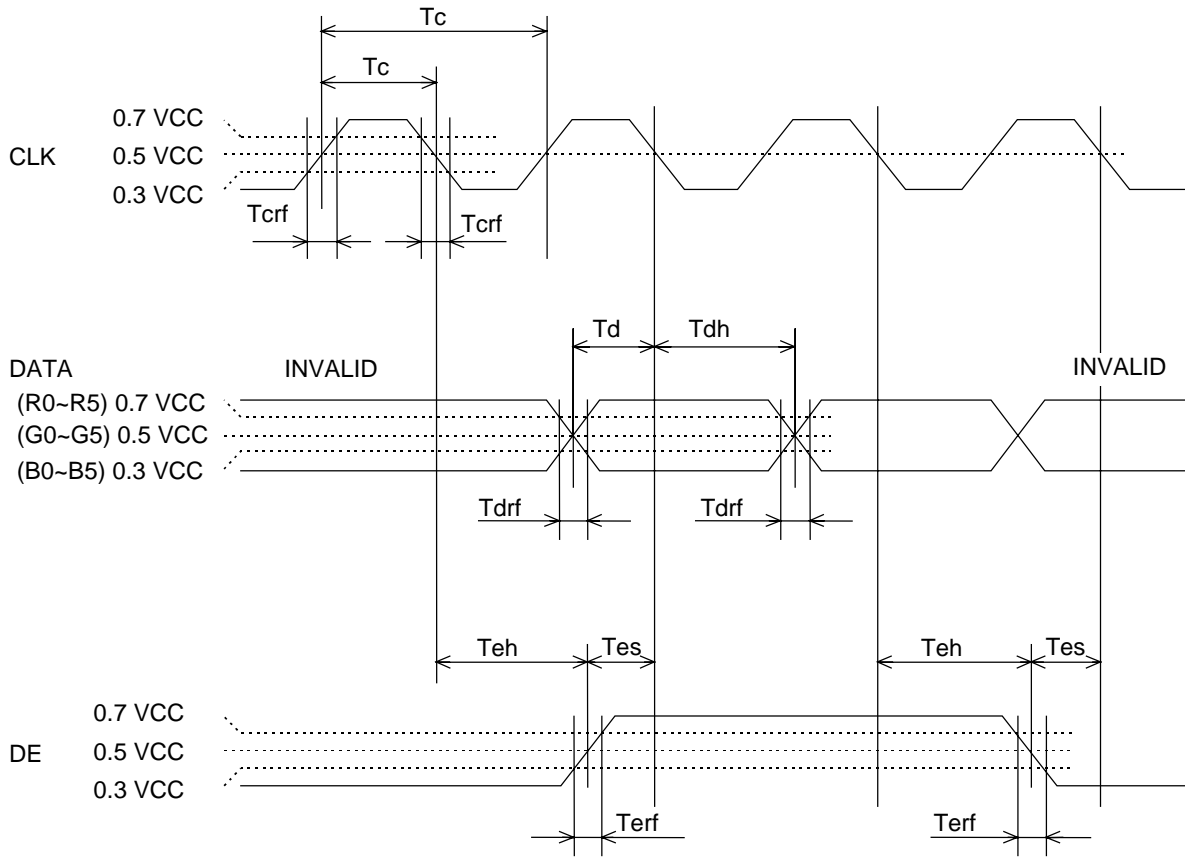
Parameter		Symbol	MIN.	TYP.	MAX.	Unit	Remarks
CLK	Frequency	1/Tc	21.0	25.175	29.0	MHZ	39.722ns (TYP.)
	Duty	Tch/Tc	0.4	0.5	0.6		
	Rise, Fall	Tcrf	-	-	10	ns	
Hsync	Period	Th	30.0	31.778	33.6	μs	31.469kHz (TYP.)
			-	800	-	CLK	
	Display period	Thd	640			CLK	
	Front-porch	Thf	-	16	-	CLK	fixed timing mode
			4	16	-	CLK	DE mode
	Pulse width	Thp *)	10	96	140	CLK	fixed timing mode
			10	96	-	CLK	DE mode
	Back-porch	Thb *)	4	48	134	CLK	fixed timing mode
			4	48	-	CLK	DE mode
	*) Thp+Thb		144			CLK	fixed timing mode
			14	144	-	CLK	DE mode
	CLK-Hsync timing	Thch	12	-	-	ns	
	Hsync-CLK timing	Thcs	8	-	-	ns	
	Hsync-Vsync timing	Tvh	1	-	-	CLK	1CLK=39.722ns (Typ)
	Vsync-Hsync timing	Tvs	30	-	-	ns	
Rise, Fall	Thrf	-	-	10	ns		
Vsync	Period	Tv	16.1	16.683	17.2	ms	59.94Hz (TYP.)
			-	525	-	H	
	Display period	Tvd	480			H	
	Front-porch	Tvf	-	12	-	H	fixed timing mode
			1	12	-	H	DE mode
	Pulse width	Tvp *)	1	2	29	H	fixed timing mode
			1	2	-	H	DE mode
	Back-porch	Tvb *)	4	31	32	H	fixed timing mode
			4	31	-	H	DE mode
	*) Tvp+Tvb		33			H	fixed timing mode
5			33	-	H	DE mode	
Rise, Fall	Tvrf	-	-	10	ns		
DATA R0-R5 G0-G5 B0-B5	CLK-DATA timing	Tds	8	-	-	ns	
	DATA-CLK timing	Tdh	12	-	-	ns	
	Rise, Fall	Tdrf	-	-	10	ns	
DE	DE-CLK timing	Tes	8	-	-	ns	DE mode
	CLK-DE timing	Teh	12	-	-	ns	
	Rise, Fall	Terf	-	-	10	ns	

note: All parameters should be kept within the specified range.

(2) DEFINITION OF INPUT SIGNAL TIMING

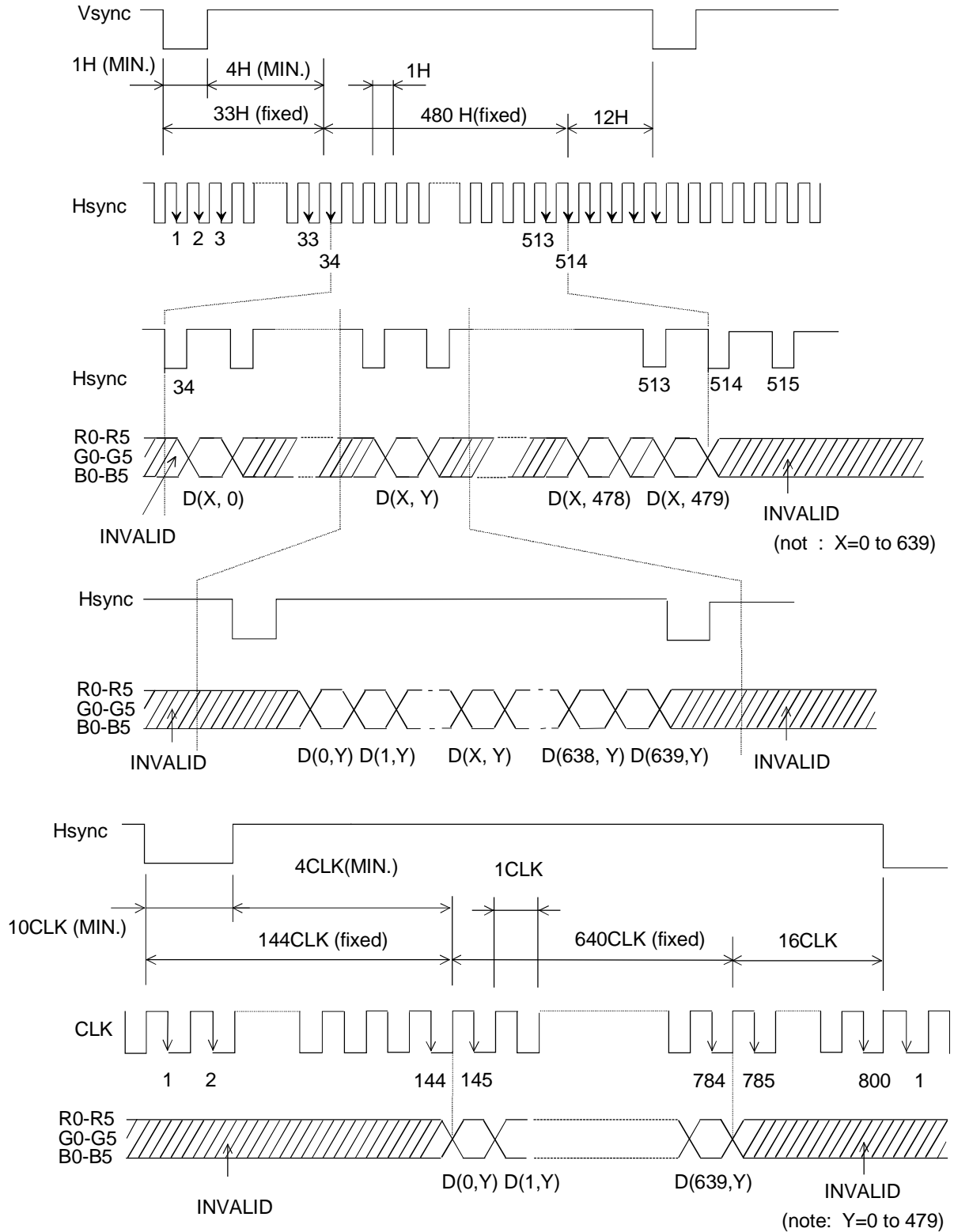


note: these signals do not exist

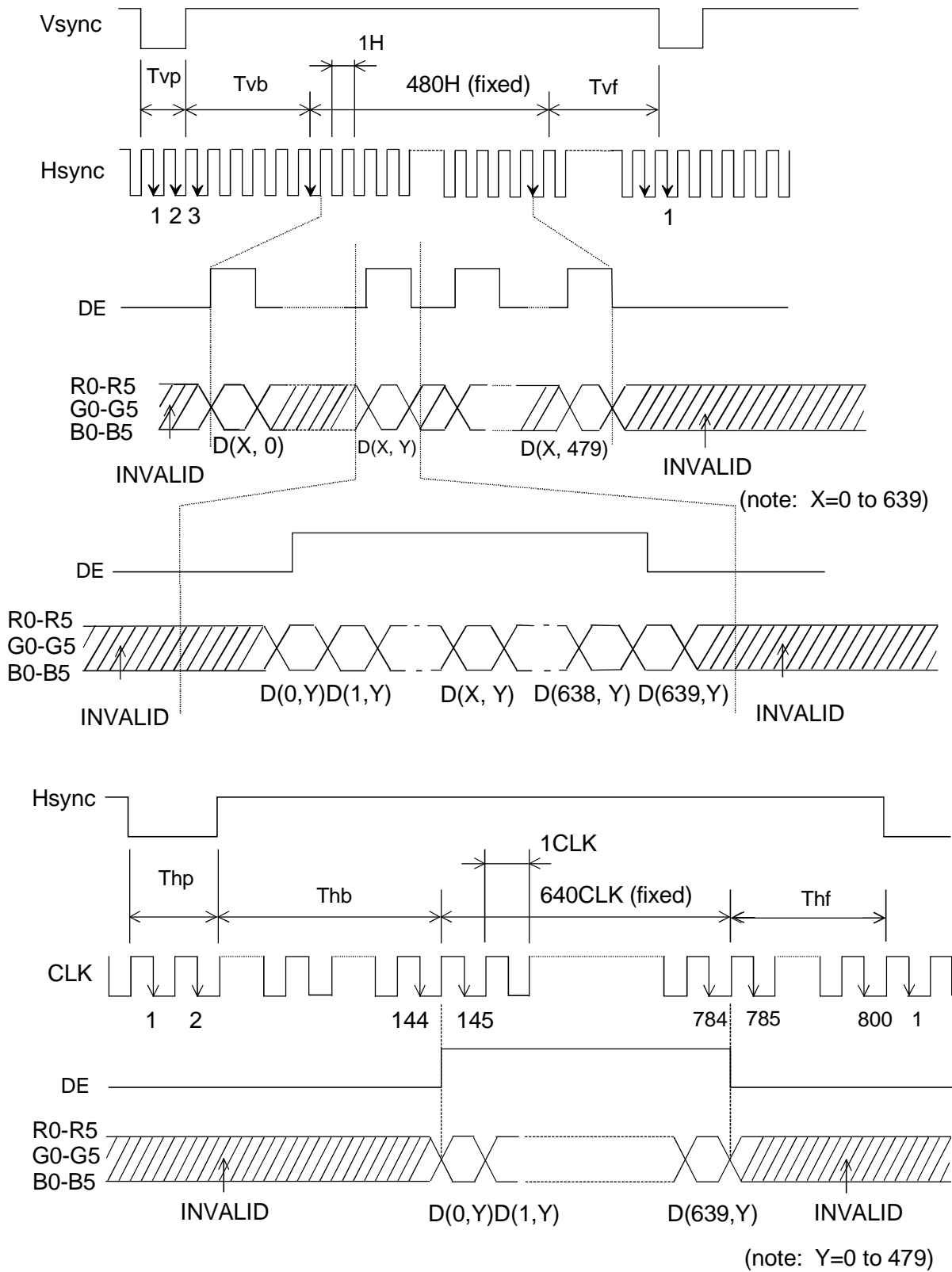


(3) INPUT SIGNAL TIMING CHART

a) fixed timing mode



b) DE mode



7-8 DISPLAY POSITION at HRV: L and VRV: L

D(0,0)	D(1,0)	—	D(X,0)	—	D(638,0)	D(639,0)
D(0,1)	D(1,1)	—	D(X,1)	—	D(638,1)	D(639,1)
		+		+		
D(0,Y)	D(1,Y)	—	D(X,Y)	—	D(638,Y)	D(639,Y)
		+		+		
D(0,478)	D(1,478)	—	D(X,478)	—	D(638,478)	D(639,478)
D(0,479)	D(1,479)	—	D(X,479)	—	D(638,479)	D(639,479)

7-9 DEFECT SPECIFICATIONS

a) Inspection conditions

Distance : the distance between the inspector's eye and the LCD panel is 20cm.

Illumination : the distance between a 20-W fluorescent lamp and the LCD panel is 25-30 cm.

Temperature : Room temperature is 25C°±5C°.

Viewing angle:

Display specifications : $-20^\circ \leq \theta_x \leq +20^\circ$, $0^\circ \leq \theta_y \leq +20^\circ$

Appearance specifications: $-45^\circ \leq \theta_x \leq +45^\circ$, $-45^\circ \leq \theta_y \leq +45^\circ$

Measuring light conditions: Lamp: Cold Cathode Fluorescent Lamp

Chromaticity coordinates (x = 0.320, y = 0.325) typ.

Luminance of backlight surface for inspection: 1500 cd/m²

b) Display specifications

Item	Specifications			
Line defect	Not allowed			
Luminous dots *1	Color	Brightness	Distance between same color dots	Quantity
	Red, Green	F + H	-	R + G ≤ 6
		F	-	R ≤ 6, G ≤ 3
	Blue	F + H	-	≤ 6
		F	-	≤ 6
	Red, Green, Blue	F	≤ 6.5 mm *4	R, G, B ≤ 0
Linked two or *3 more dots			R, G, B ≤ 0	
Dark dots *2	Color	Distance between dark dots		Quantity
	Black	-		R + G + B ≤ 16
		Linked two dots *3		≤ 1 pair
		Linked three or *3 more dots		≤ 0
		≤ 6.5 mm *4		≤ 0

- *1 F: Full luminous dots (Bright point independent of viewing angle)
H: Half luminous dots (Bright point dependent on viewing angle)
Luminous dots are measured while the screen is black.
- *2 Dark dots are measured while the screen is illuminated with Red, Green, or Blue.
- *3 Linkage means linked two or more dots.

(■ Luminous or Dark dot)

To be counted

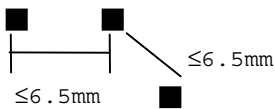


To be uncouncted



- *4 ≤ 6.5 mm is considered with:

(■ :Luminous or Dark dot)



	To be counted	To be uncouncted
Luminous dots	Same color	Different color
Dark dots	Same screen	Different screen

- *5 The dot-amounts of linkage and < 6.5 mm are counted when the dots are only full luminous.

c) Appearance specifications

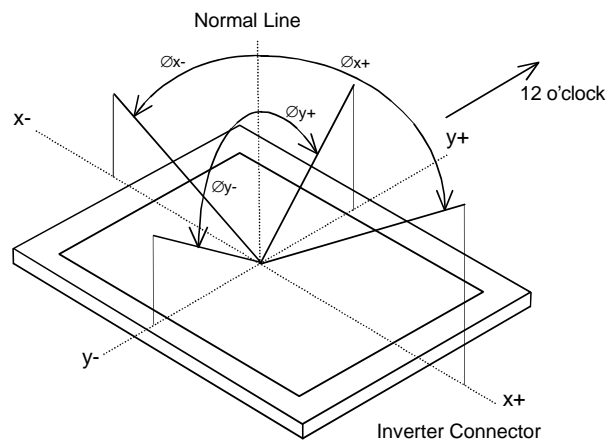
Item	Specifications	
	Measurement criteria	Quantity
Other objects	Average diameter(\emptyset) mm	Allowed value
Stains	$\emptyset \leq 0.2$	all allowed
Dust	$0.2 < \emptyset < 0.3$	≤ 10 points
(dot shape)	$0.3 < \emptyset \leq 0.5$	≤ 3 points
	$0.5 < \emptyset$	0 point
	Linked other objects	
Other objects	Width(W) mm	Length(L) mm
	$W \leq 0.05$	-
Stains		$L < 0.7$
Dust	$0.05 \leq W \leq 0.1$	$0.7 \leq L \leq 1.0$
		$1.0 < L$
(line shape)	$0.1 < W$	-
Polarizer	Average diameter(\emptyset) mm	
Bubbles		
Wrinkles	$\emptyset \leq 0.5$	< 2 points
Dent		
Panel dent	$\emptyset \leq 0.5$	< 2 points
Polarizer scratch	Remarkable scratches	0 point
Form	Specified labels and parts are put	

The relevant data for the values above a only valid under conditions described at 7-9 "a".

Parameter		Symbol	Condition	Min.	Typ.	Max.	Unit	Remark
Viewing angle range	Horizontal	Øx+	CR>5, Øy = ±0°	-	80	-	deg.	
		Øx-	CR>5, Øy = ±0°	-	80	-	deg.	note 2
	Vertical	Øy+	CR>5, Øx = ±0°	-	45	-	deg.	
		Øy-	CR>5, Øx = ±0°	-	80	-	deg.	
Contrast ratio		CR	Øy=-5°, Øx=±0°	-	250	-	-	note 3
Response time		tpd	white to black black to white	- -	15 35	- -	ms	note 4
Luminance (center of screen)		Lw	at center		500		cd/m ²	note 6
Dimming range		DR			1:250			
Color gamut		C	at center, to NTSC	40	50	-	%	note 5
Chromaticity	Red	Rx	at center	-	0,594	-	-	
		Ry		-	0,372	-	-	
	Green	Gx	"	-	0,343	-	-	note 5
		Gy		-	0,560	-	-	
	Blue	Bx	"	-	0,171	-	-	
		By		-	0,191	-	-	
	White	Wx	"	-	0,361	-	-	
		Wy		-	0,386	-	-	
γ correction		γ	γ1-γ2 : 0 Ω γ1-γ2 : 2 kΩ	- -	tbd tbd	- -	- -	

note 1: Vcc = 5.0 V

note 2: Definitions of viewing angle are as follows. (matrix facing up, connector on the right side)



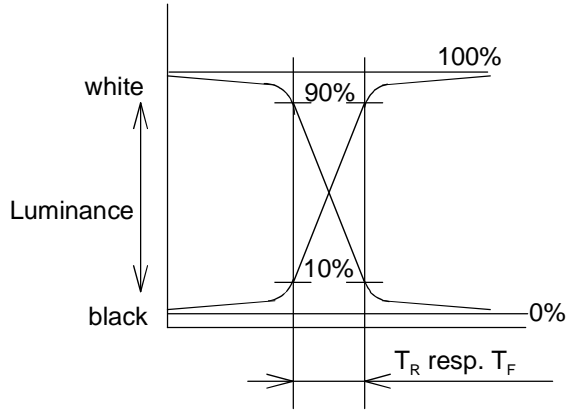
note 3: The contrast ratio is calculated by using the following formula:

$\text{Contrast ratio} = \frac{\text{Brightness (Luminance) with all pixels in "White"}}{\text{Brightness (Luminance) with all pixels in "Black"}}$

the brightness is measured in darkroom.

note 4: Definition of response time is as follows.

Photodetector output signal is measured when the brightness changes "white" to "black". Response time is the time between 10% and 90% of the photodetector output amplitude.



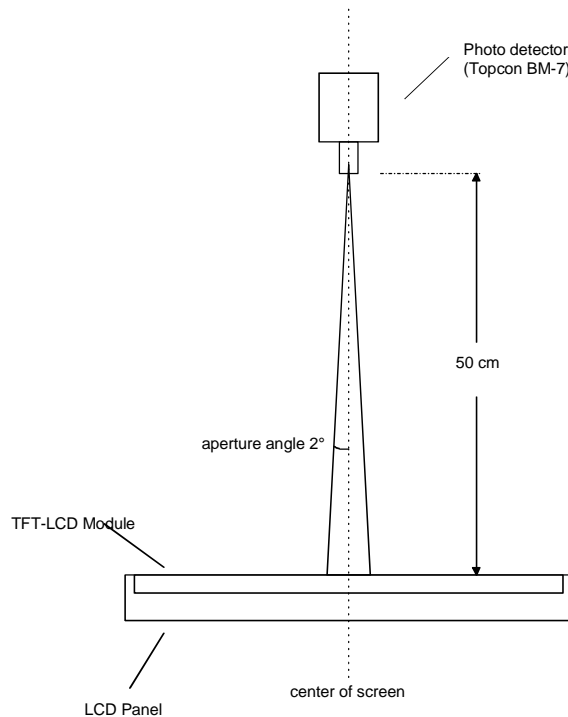
Reference data

$T_a = 0^\circ\text{C}$ white to black $t_{pd} = 15 \text{ ms typ.}$
 black to white $t_{pd} = 35 \text{ ms typ.}$

note 5: For the measurement of color gamut and chromaticity, transmittance, use a lamp with a color temperature of 6000 K and a luminance of 1500 cd/m^2 . The chromaticity value is: $x = 0.320$, $y = 0.325$.

note 6: Brightness measurements setup

The measurement should be executed in a dark room 30 min. after lightning the backlight. Matrix: off state. The brightness is measured in the center of the screen. Environment condition: $T = 25 \pm 2 \text{ }^\circ\text{C}$, it has to be assured that a sufficient heat flow / air circulation is given



7-11 INVERTER SPECIFICATIONS

a) PIN CONNECTION

Connector (Series): JST S8B-PH-SM3-TBc

corresponding connector: housing JST PHR-8, contacts JST SPH-002T-P0.5S

Pin #	Description	value
1	Supply voltage for Inverter	typ. 12 VDC / 1,6 A *1
2	Supply voltage for Inverter	typ. 12 VDC / 1,6 A *1
3	Remote on / off	n.c. -> On *2; GND -> Off
4	Digital dimming input	PWM, TTL - Level
5	Reference voltage output For dimming with variable resistor	5 V 4K7
6	Analog dimming input	0-5 VDC *3
7	Ground	GND *1
8	Ground	GND *1

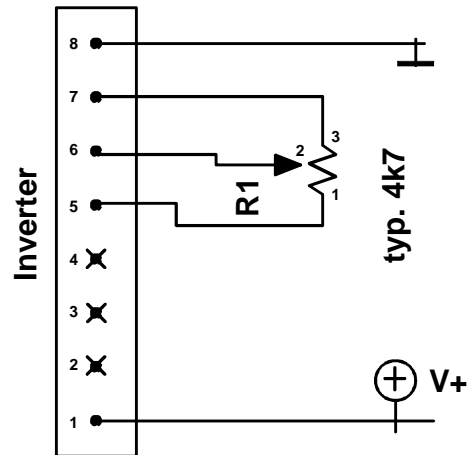
Attention: depending on source and temperature, when switching on, the inverter current can be much higher (see separate application note)

*1 for connection use both pin 1 and 2 parallel and pin 7 and 8 parallel

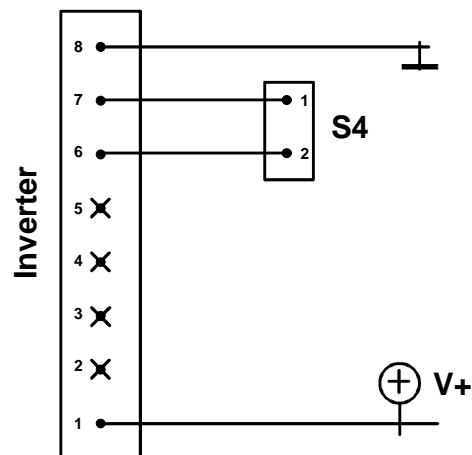
*2 n.c.: no connection (leave pin open)

*3 If no dimming is required, you have to short pin 6 and pin 5 for maximum brightness, 0 VDC= dark, 5 VDC= bright

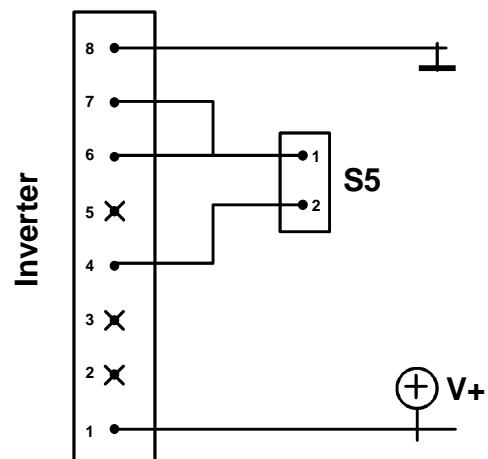
b) INVERTER CONNECTIONS



1) Dimming with variable Resistor (pin 7: 0 V)



2) Dimming with variable analog DC voltage. Variable voltage 0 to 5 VDC (pin 7: 0 V)



3) Digital Dimming with PWM control 0 to 100% PWM, PWM 200-1000 Hz; TTL-Level (pin 7: 0 V)

7-12 RELIABILITY TEST 1

No.	Test Item	number	Test Condition	Judgement
1.	High Temperature (operation)		will be added	
2.	High Temperature /Humidity (operation)		will be added	
3.	Thermal shock (operation)		will be added	
4.	Heat Cycle (operation)		will be added	
5.	Vibration (operation)	5p	1. 5-8. 4 Hz...21 mmp-p 8. 4-150 Hz..3G 1 minute/cycle, X,Y,Z 6 direction sinewave, Log sweep, 25 ±5°C 2. 20 times each direction Display data is black. *4	*1
6.	Mechanical Shock (operation)	5p	1. 100 G, 11 ms X,Y,Z direction Half sinewave, 25 ±5°C 2. 5 times each direction 3. Display data is black. *4	*1 *2
7.	ESD (non-operation)	5p	150 PF, 150 Ω, +10 kV 9 places on a panel *3 10 times each place at 1sec intervals.	*1
8.	Drop Test (non-operation)	1 box	Drop packaged modules to concrete floor from 70 cm high, 3 times each face.	*1

*1: Display function

*2: Physical damage.

*3: Discharge points are
shown in the figure.

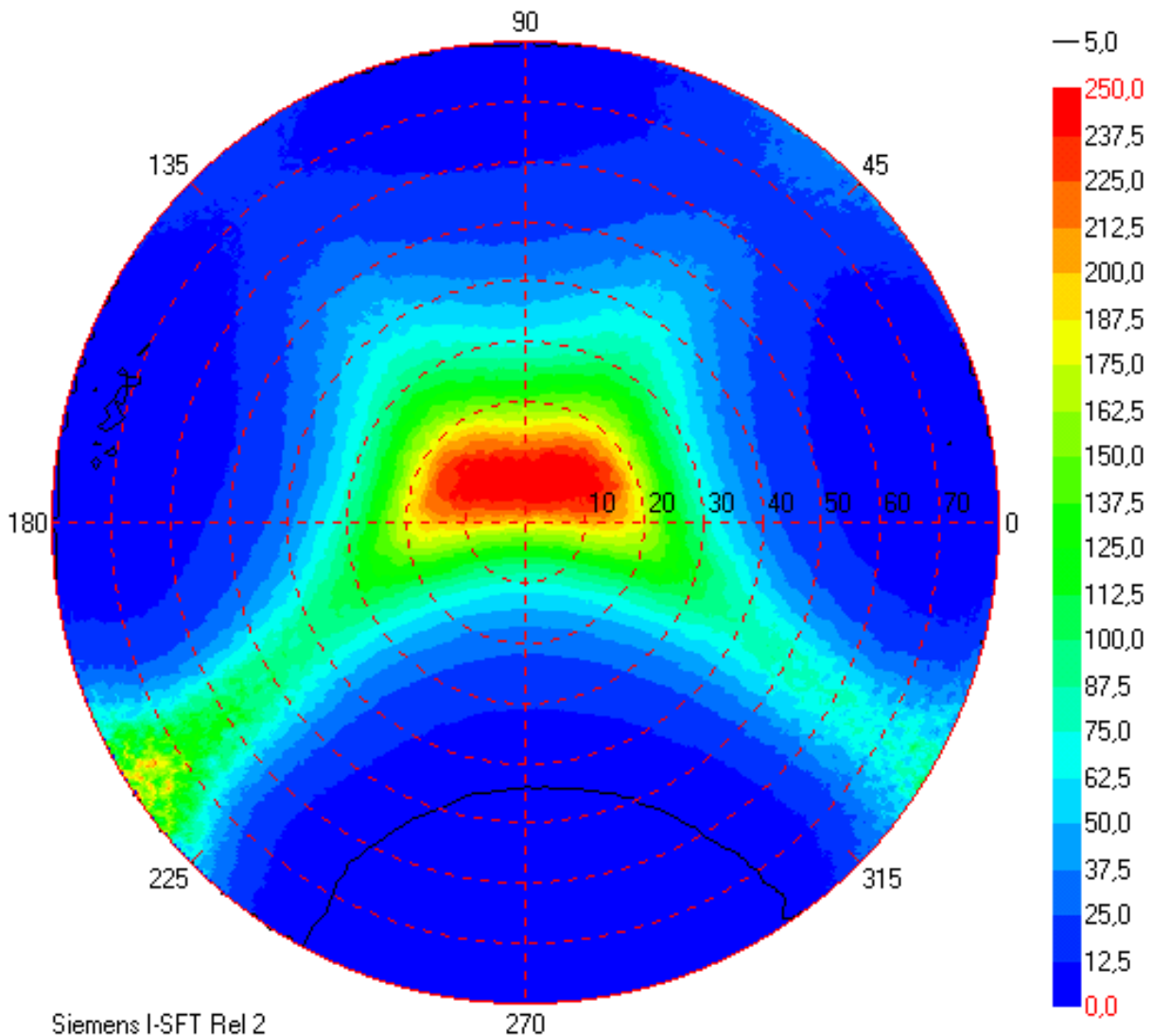
*4: all pixel are "ON"

1	2	3
4	5	6
7	8	9

Reliability tests for design check

			<i>under calculation</i>	

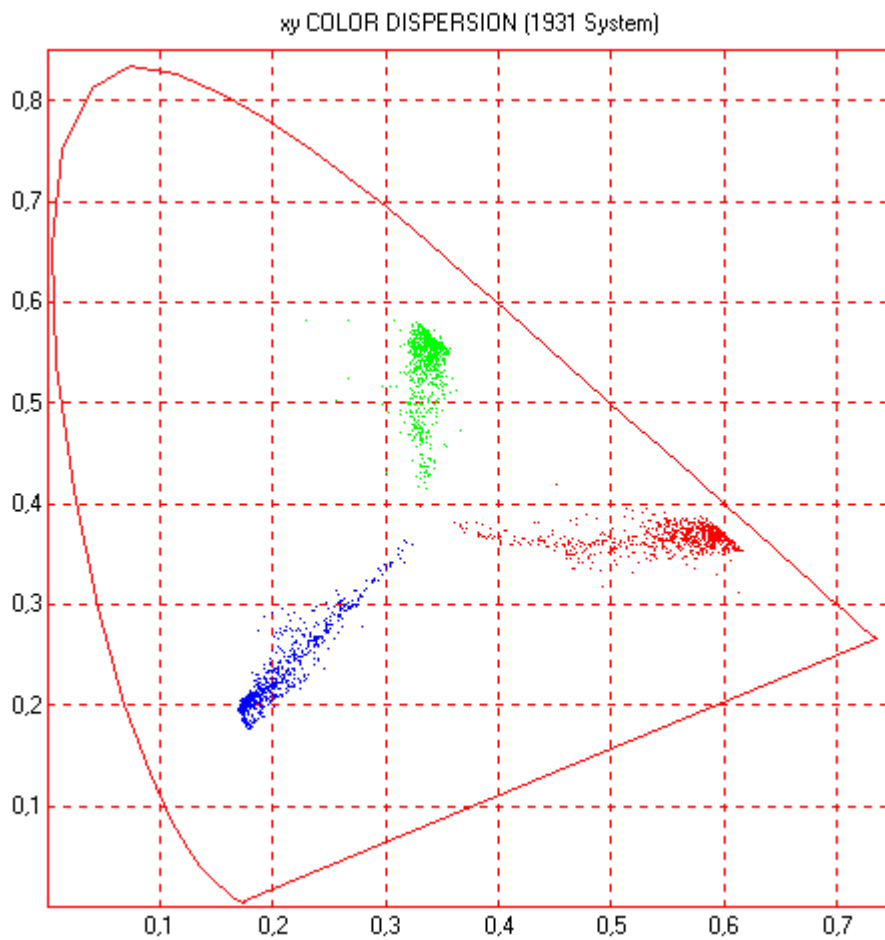
7.13 MEASUREMENTS



Typical measurement for Siemens I-SFT Rel 2
(Display orientation: connector points to the left)

This omni-directional plot shows contrast ratio vs. viewing angle
in range of left/right 80° / 80°
and top/down 80° / 80°.

The different colors represent the contrast from 0 contrast (dark blue)
to 250:1 contrast (bright red)



This plot shows the distribution of color coordinates for red, green and blue over the complete viewing angle of left / right $80^\circ / 80^\circ$ and top / down $80^\circ / 80^\circ$.